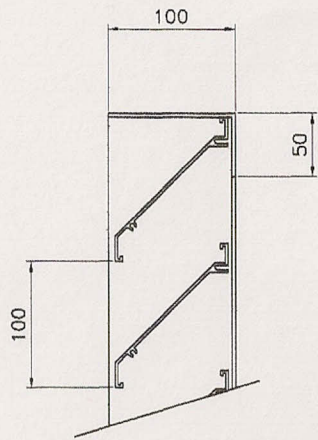
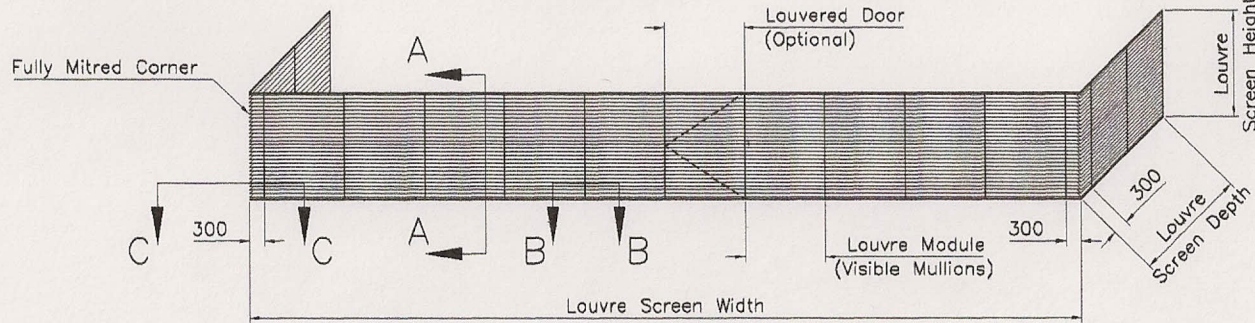
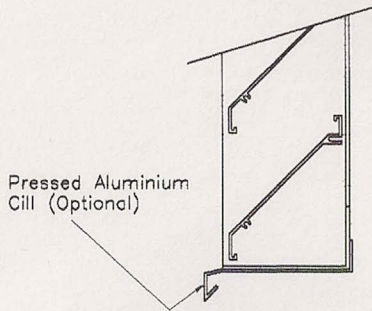


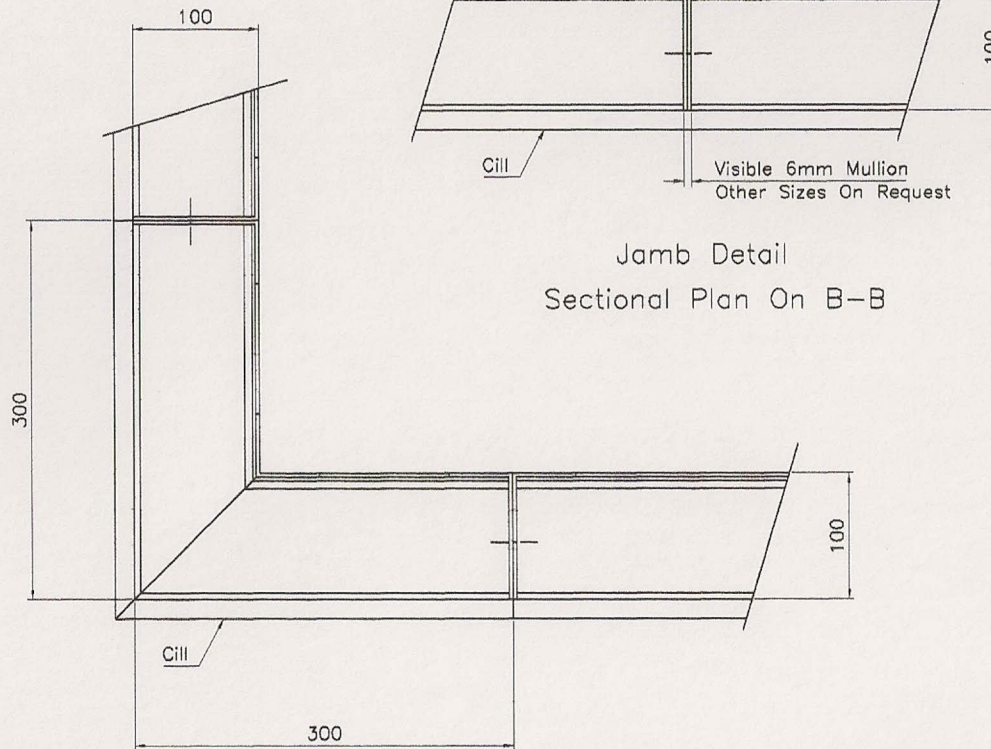
WL100 Extruded Aluminium Louvred Screen With Visible Mullions
 Louvres Manufactured & Supplied To Site In Modular Form



Head Detail



Cill Detail
 Sectional Side Elevation On A-A



Jamb Detail
 Sectional Plan On B-B

Mitred Corner Detail
 Sectional Plan On C-C

Notes
 All dimensions must be checked on site and not scaled from this drawing

WL100 Louvre System

Material
 Extruded Aluminium Frame & Blades.

Blade Thickness 2mm
 Frame Thickness 3mm
 Louvre Depth 100mm
 Louvre Pitch 100mm
 Blade Angle 45°

Finish;
 Polyester Powder Coated
 Colour Ref: _____

| Date | Revisions |
|------|-----------|
| | |

LINCO ENGINEERING
 MIDLANDS LTD
 88 Heming Road,
 Washford Industrial Estate,
 Redditch,
 WORCS,
 B98 0EA.
 TEL: (01527) 518333
 FAX: (01527) 518666
 e-mail: linco@btconnect.com
 www.lincoengineering.com



Client: _____

Project: _____

Drawing Title
 WL100 Extruded
 Aluminium Louvred
 Screen Details

Scale 1:2

Date Jan08 Drawn by: K.P

Dwg. No. WL100 Screen 01 Rev. -