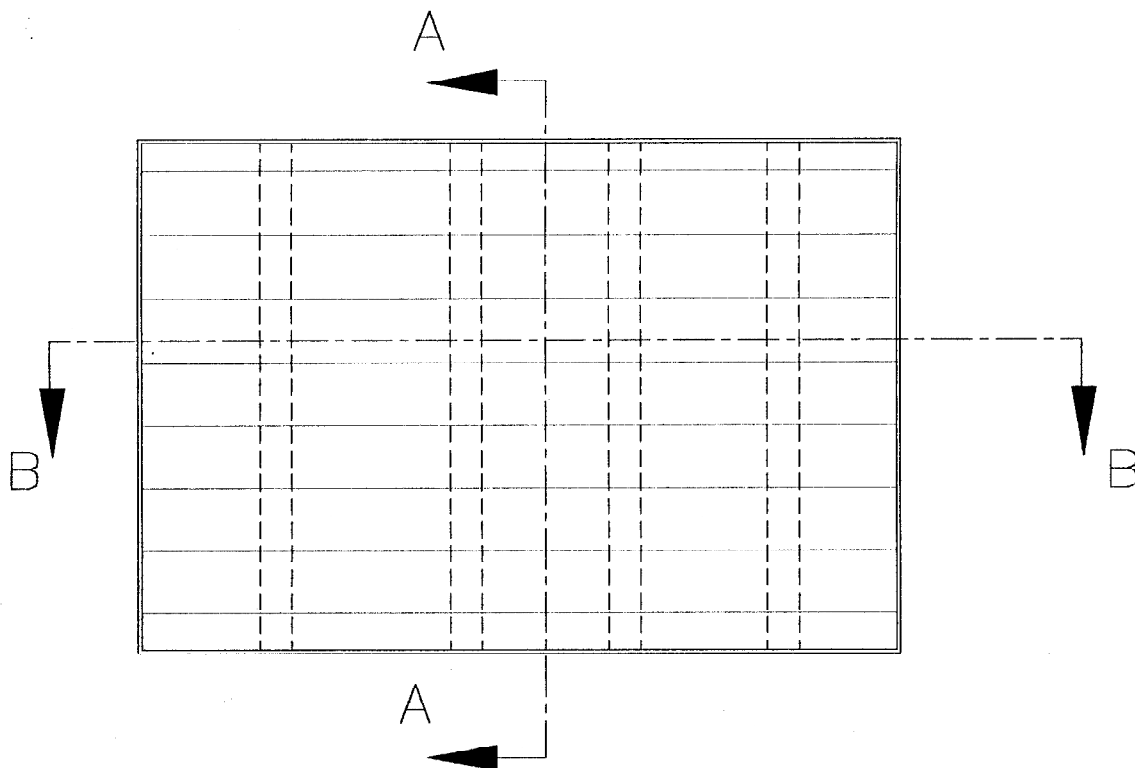
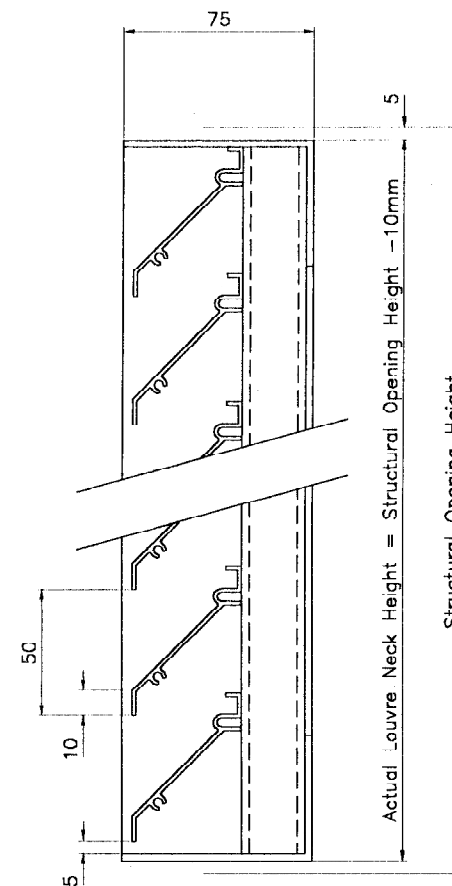


Sectional Plan On Arrow B.B.



Structural Opening Sizes (mm)		
Qty	Width (mm)	Height (mm)



Sectional Elevation On Arrow A.A.

Notes
All dimensions must be checked on site and not scaled from this drawing

WL50 Security Louvre

Material
Extruded Aluminium Frame & Blades.

Blade Thickness 1.5mm
Frame Thickness 3mm
Louvre Depth 75mm
Louvre Pitch 50mm
Blade Angle 45°
25x25 Vertical Welded Box Section On 125mm Cns

Finish:
Polyester Powder Coated
Colour Ref _____

Date	Revisions

LINCO ENGINEERING
88 Heming Road
Washford Industrial Estate
Redditch
WORCS
B98 0EA
TEL: (01527) 518333
FAX: (01527) 518666



Client. _____
Project. _____

Drawing Title
WL50 Security
Weather Louvre
Recessed Frame

Scale 1:1
Date Apr98 Drawn by K.P.
Dwg. No. WL50 SEC 01 Rev. _____