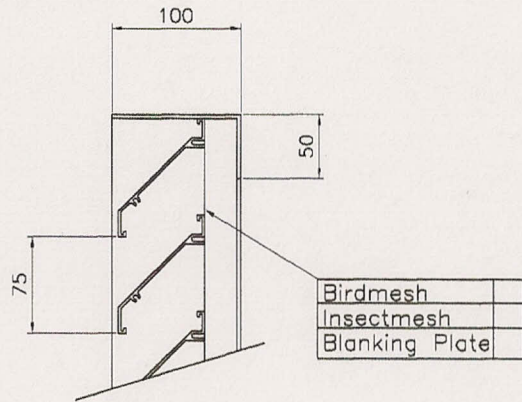
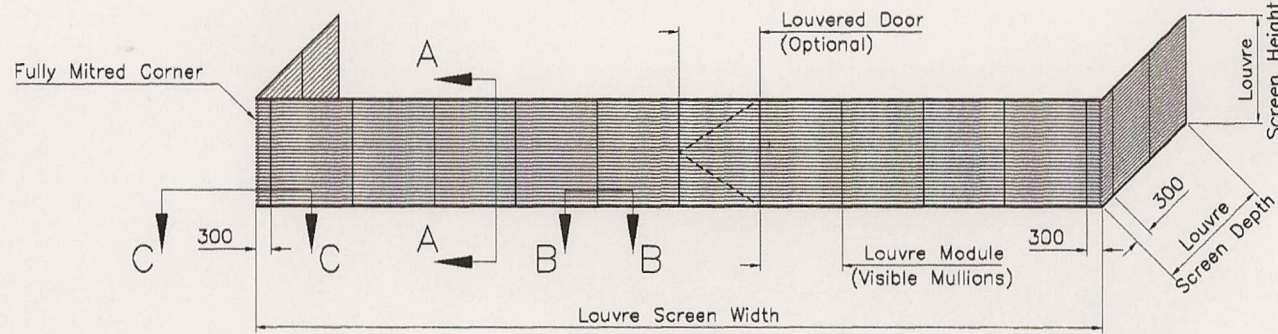
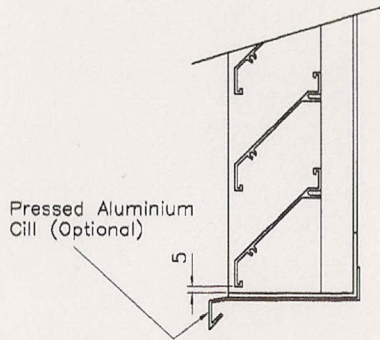


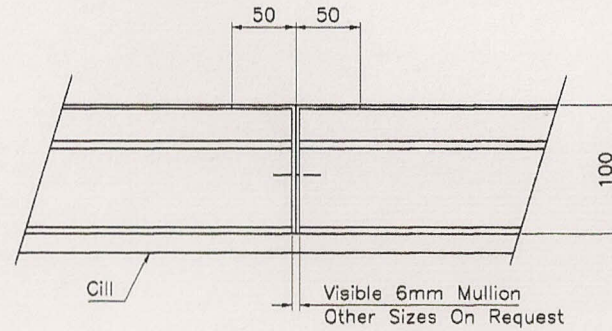
WL75 Extruded Aluminium Louvred Screen With Visible Mullions
 Louvres Manufactured & Supplied To Site In Modular Form



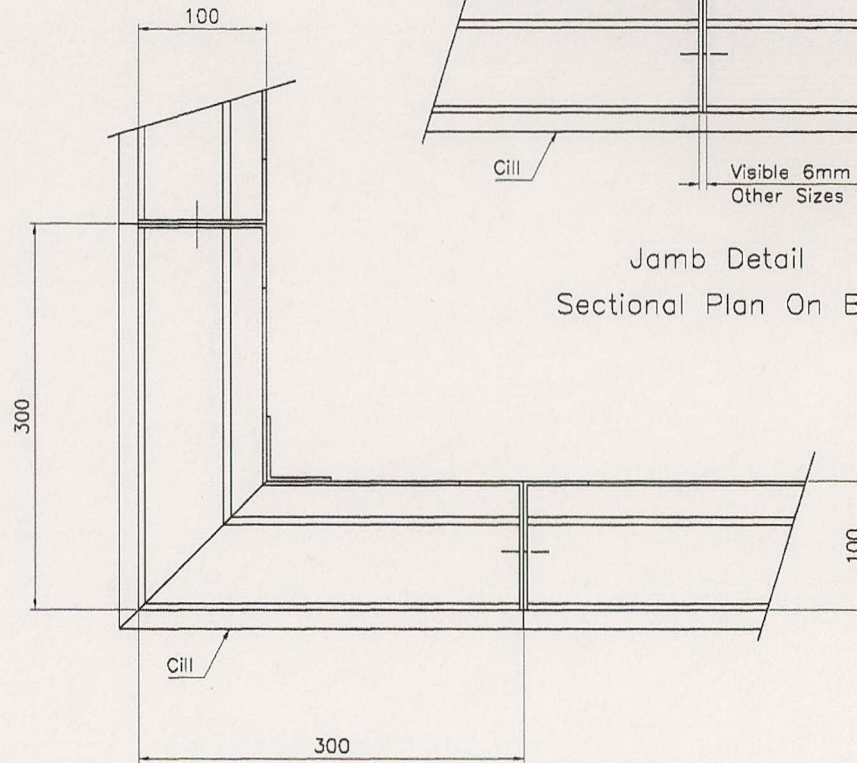
Head Detail



Cill Detail
 Sectional Side Elevation On A-A



Jamb Detail
 Sectional Plan On B-B



Mitred Corner Detail
 Sectional Plan On C-C

Notes
 All dimensions must be checked on site and not scaled from this drawing

WL75 Louvre System

Material
 Extruded Aluminium Frame & Blades.

Blade Thickness 2mm
 Frame Thickness 3mm
 Louvre Depth 100mm
 Louvre Pitch 75mm
 Blade Angle 45°

Finish:
 Polyester Powder Coated
 Colour Ref: _____

Date	Revisions

LINCO ENGINEERING
 MIDLANDS LTD
 88 Heming Road,
 Washford Industrial Estate,
 Redditch,
 WORCS,
 B98 0EA,
 TEL: (01527) 518333
 FAX: (01527) 518666
 Email: linco@btconnect.com



Client.

Project.

Drawing Title
 WL75 Extruded
 Aluminium Louvred
 Screen Details

Scale 1:2

Date Jan08 Drawn by K.P

Org. No.	Rev.
WL75 Screen 01	-