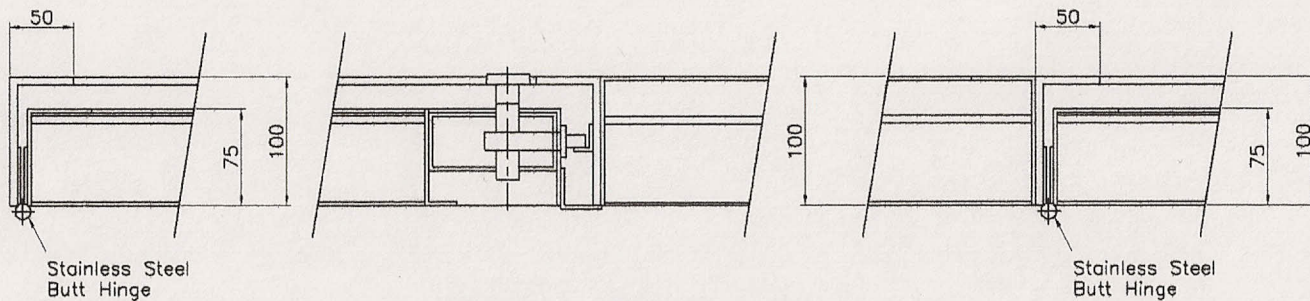
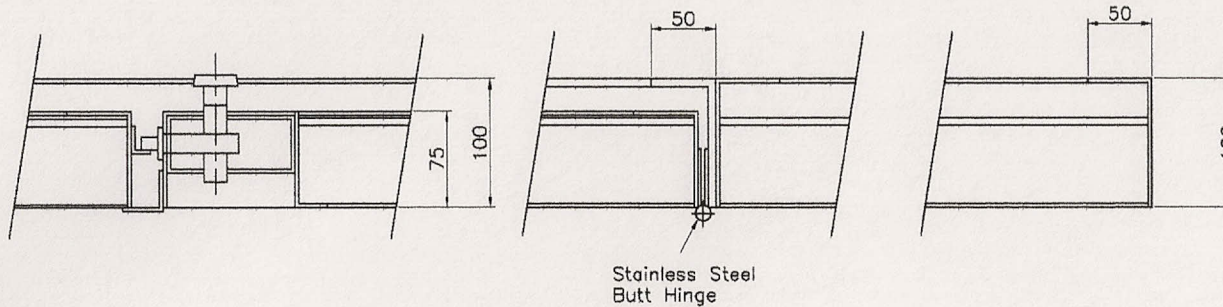


Sectional Side Elevation On A.A



Sectional PLAN On B.B



Sectional PLAN On B.B

Notes
All dimensions must be checked on site and not scaled from this drawing

WL75 Louvre System

Material
Extruded Aluminium Frame & Blades.

Blade Thickness 2mm
Frame Thickness 3mm
Louvre Depth 75mm
Louvre Pitch 75mm
Blade Angle 45°
Birdguard To Rear

Finish;
Polyester Powder Coated
Colour Ref: _____

Door Ironmongery;
Stainless Steel Butt Hinges
Euro Profile Deadlock & Cylinder
Rebated Flush Door Pull
Outer Frame
Shoot Bolts To Slave Leaf
(Double Doors Only)

Date	Revisions

LINCO ENGINEERING
MIDLANDS LTD
88 Heming Road,
Washford Industrial Estate,
Redditch,
WORCS,
B98 0EA,
TEL: (01527) 518333
FAX: (01527) 518666
Email: linco@btconnect.com



Client.

Project.

Drawing Title
WL75 Aluminium Louvre & Door Screen Details

Scale 1:2

Date Jul09 Drawn by K.P

Drq. No.	Rev.
2 of 2	