

Qty	Ref	A (mm)	B (mm)	C (mm)

Mitred Corner

Notes
All dimensions must be checked on site and not scaled from this drawing

WL75 Louvre System

Material
Extruded Aluminium Frame & Blades.

Blade Thickness 2mm
Frame Thickness 3mm
Louvre Depth 100mm
Louvre Pitch 75mm
Blade Angle 45°

Finish:
Polyester Powder Coated
Colour Ref: _____

Date	Revisions

LINCO ENGINEERING
MIDLANDS LTD
88 Haming Road,
Washford Industrial Estate,
Redditch,
WORCS,
B98 0EA,
TEL: (01527) 518333
FAX: (01527) 518666
e-mail: linco@btconnect.com
www.lincoengineering.com



Client: _____

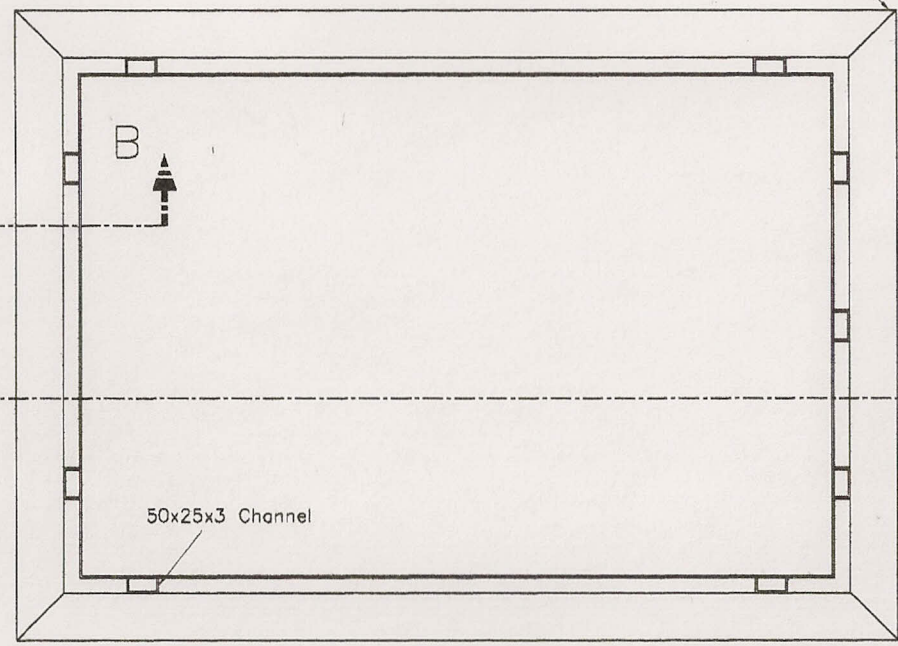
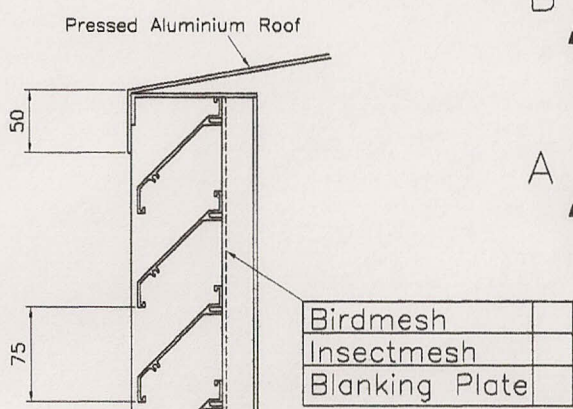
Project: _____

Drawing Title
WL75 Extruded Aluminium Penthouse Louvre

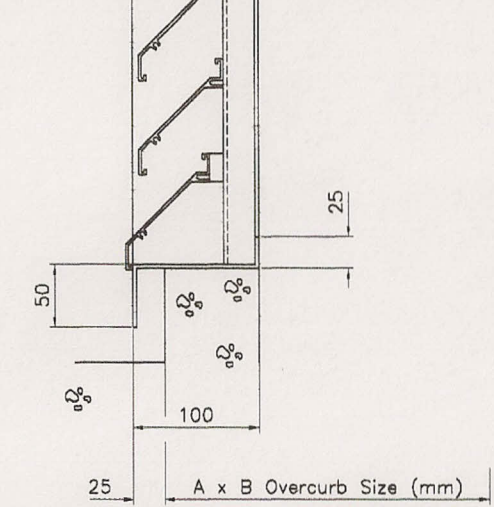
Scale 1:2

Date Jan08 Drawn by: K.P.

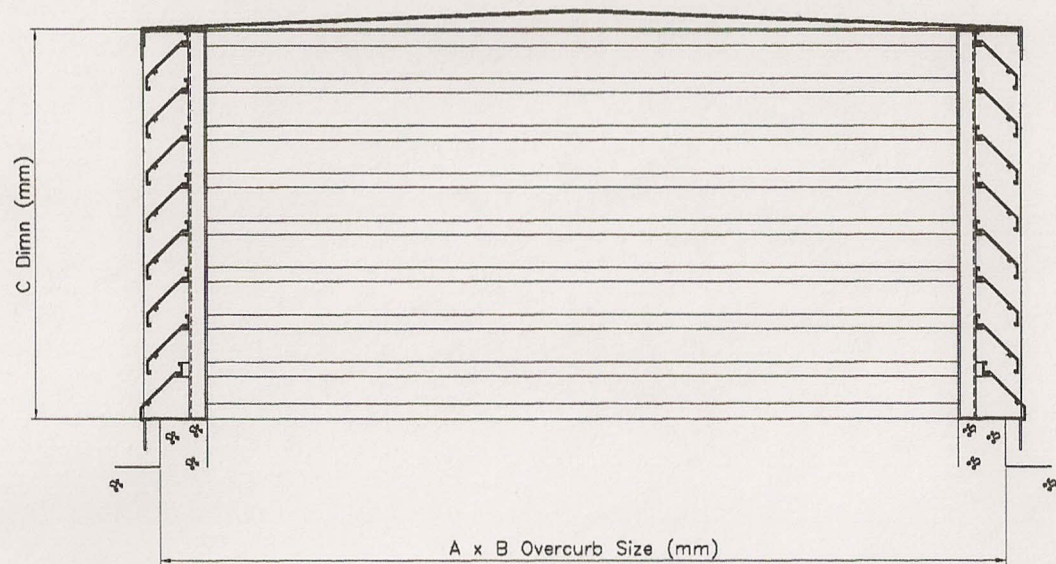
Dr. No.	Rev.
Pent WL75 1	



PLAN View With Roof Removed For Clarity



Enlarged Sectional Side Elevation On B.B



Sectional Side Elevation On A.A